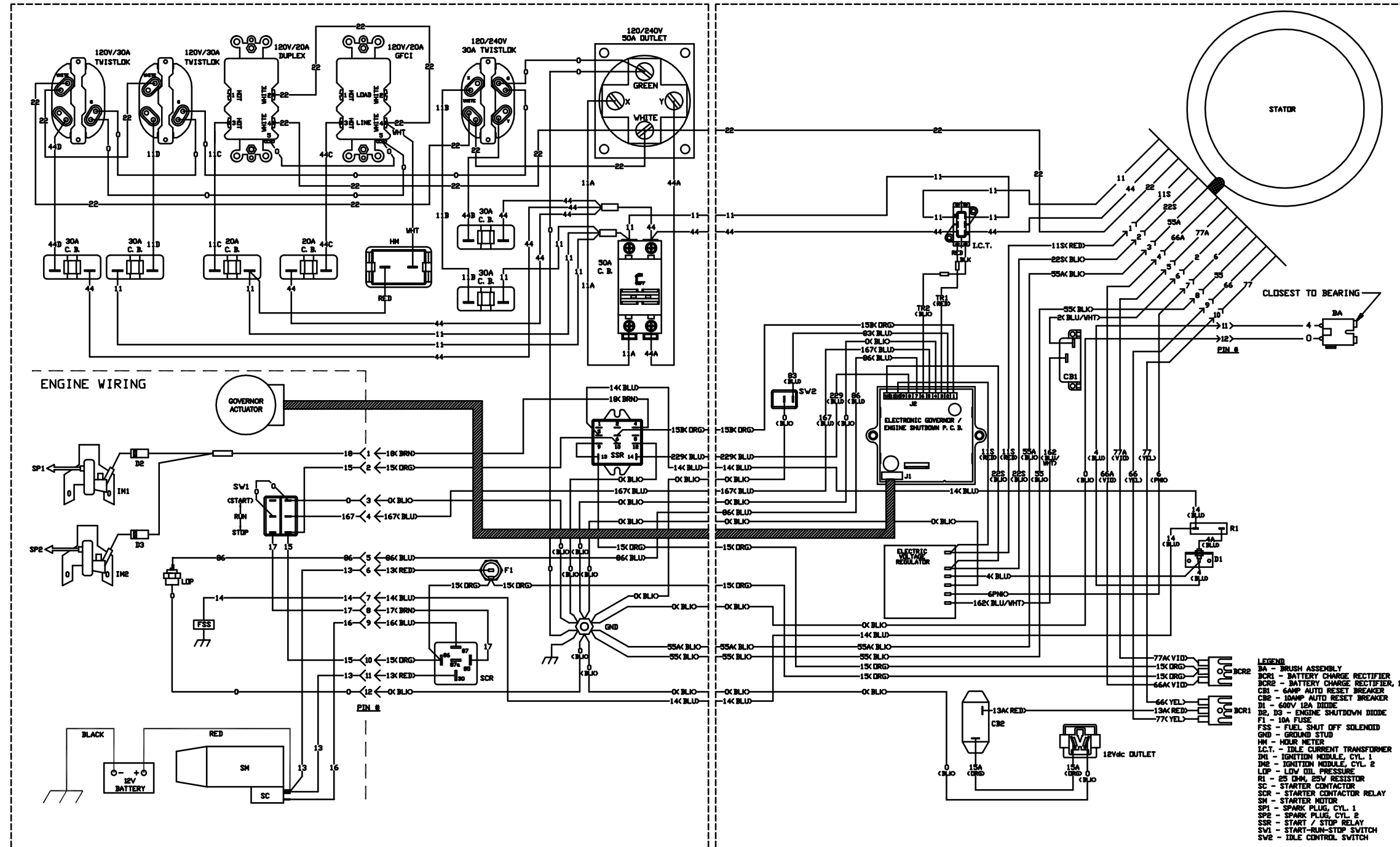


0H0730

WIRING - DIAGRAM

WIRING - DIAGRAM



09/12/08	-A-	RELEASE FOR PRODUCTION
01/07/09	H-3751-B	UPDATED WIRING OF WHT/NEU WIRE

GENERAC POWER SYSTEMS OWNS THE COPYRIGHT OF THIS DRAWING WHICH IS SUPPLIED IN CONFIDENCE AND MUST NOT BE USED FOR ANY PURPOSE OTHER THAN FOR WHICH IT IS SUPPLIED WITHOUT THE EXPRESS WRITTEN CONSENT OF GENERAC POWER SYSTEMS.
© GENERAC POWER SYSTEMS INC.

EST. WT.
FINAL WT.
DO NOT SCALE
ALL DIMENSIONS AND TOLERANCING PER ASME Y14.5M-1994
UNLESS OTHERWISE SPECIFIED:
ALL XX DIM — 80.4 MM
ALL XXX DIM — 80.4 MM
ALL XXXX DIM — 40.15 MM
ALL ANGLES — 21°

DRAWING TITLE			
WIRING DIAGRAM, 15kW/17.5kW GP PORT			
MATERIAL			
DWN	DATE	MFG	DATE
J. wray	09/02/08		
CHKD	DATE	APPD	DATE
KC	9/9/08	CDT	9/12/08
RELEASED FOR PRODUCTION	BY	DATE	
	C. TURNER	9/12/08	

GENERAC POWER SYSTEMS			
Whiteavor			
P.O. BOX 8 WAUKESHA, WIS. 53187			
FILE NAME	0H0730-B.DWG	SIZE	C
SCALE	NTS	FIRST USE	5734/5735
DWG NO.	0H0730	REV	B