

DO NOT SCALE

ALL DIMENSIONS AND TOLERANCING PER ASME Y14.5M-1994

UNLESS OTHERWISE SPECIFIED:

ALL XX DIM ---- ±0.4 MM
ALL XX.X DIM --- ±0.4 MM
ALL XX.XX DIM -- ±0.15 MM
ALL ANGLES ---- ±1°

GENERAC POWER SYSTEMS OWNS THE COPYRIGHT OF THIS DRAWING WHICH IS SUPPLIED IN CONFIDENCE AND MUST NOT BE USED FOR ANY PURPOSE OTHER THAN FOR WHICH IT IS SUPPLIED WITHOUT THE EXPRESS WRITTEN CONSENT OF GENERAC POWER SYSTEMS.

© GENERAC POWER SYSTEMS 2001

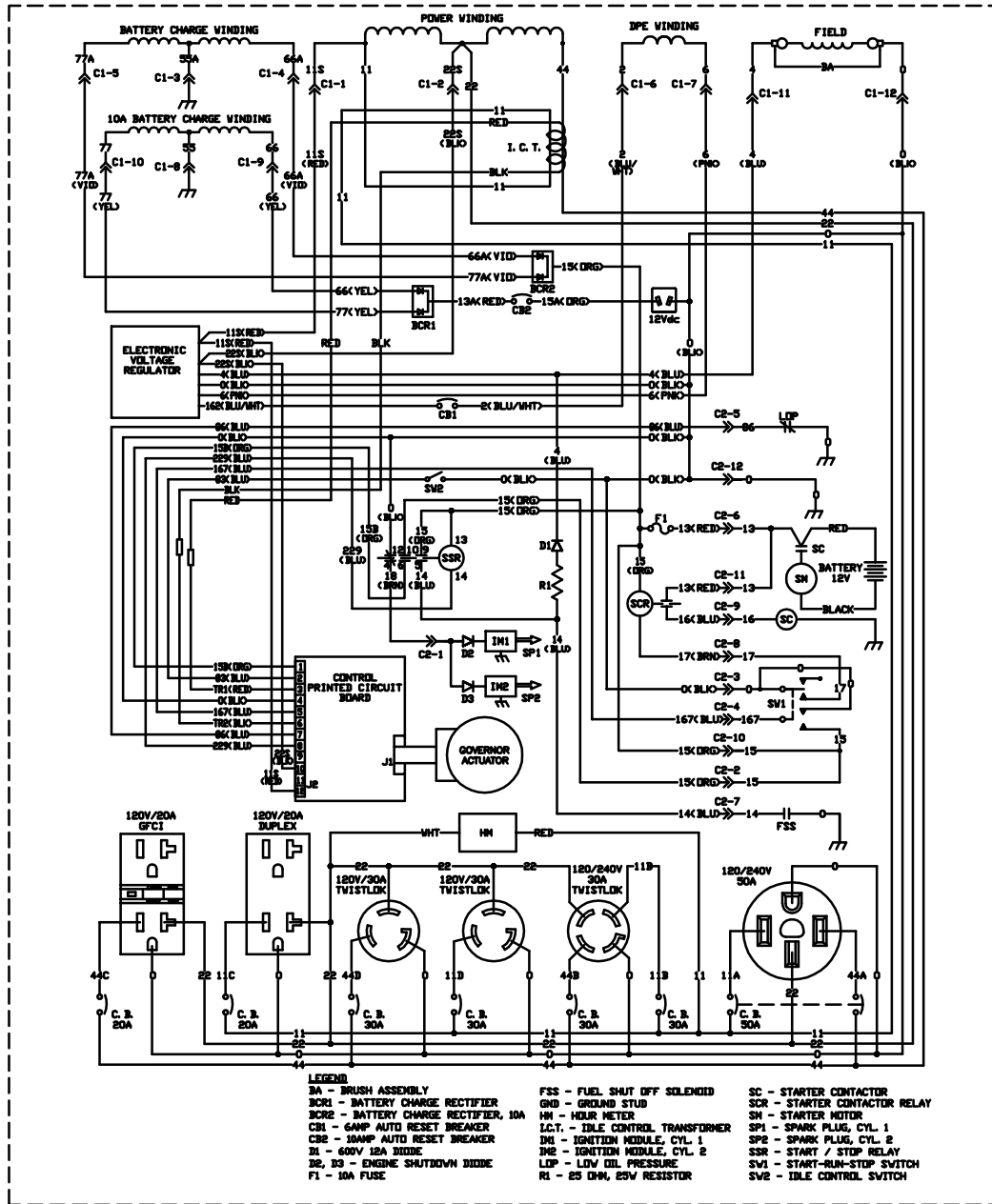
0H0729

09/02/08

-A

RELEASED FOR PRODUCTION

SCHEMATIC - DIAGRAM



DRAWING TITLE

SCHEMATIC DIAGRAM,
15kW/17.5kW GP PORT

GENERAC POWER SYSTEMS
Whitewater
P.O. BOX 8
WAUKESHA, WIS. 53187

MATERIAL

FILE NAME 0H0729-A.DWG SIZE A

DWN J. wray	DATE 09/02/08	MFG	DATE	EST. WT.	SCALE NTS	FIRST USE 5734/5735
----------------	------------------	-----	------	----------	--------------	------------------------

CHKD KC	DATE 9/9/08	APPD CDT	DATE 9/12/08	FINAL WT.	DWG NO. 0H0729	REV A
------------	----------------	-------------	-----------------	-----------	-------------------	----------

RELEASED FOR PRODUCTION	BY C. TURNER	DATE 9/12/08
-------------------------	-----------------	-----------------